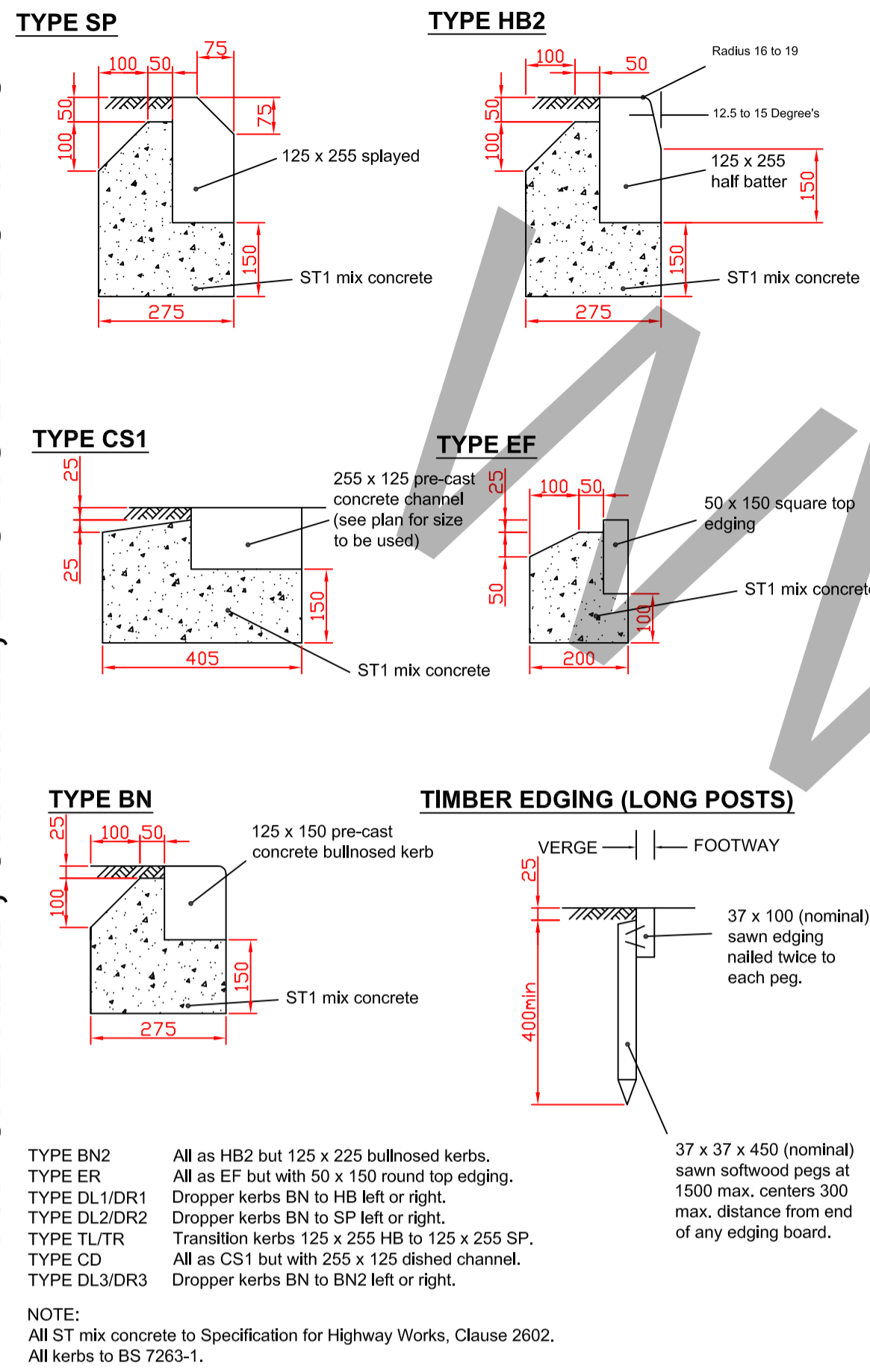
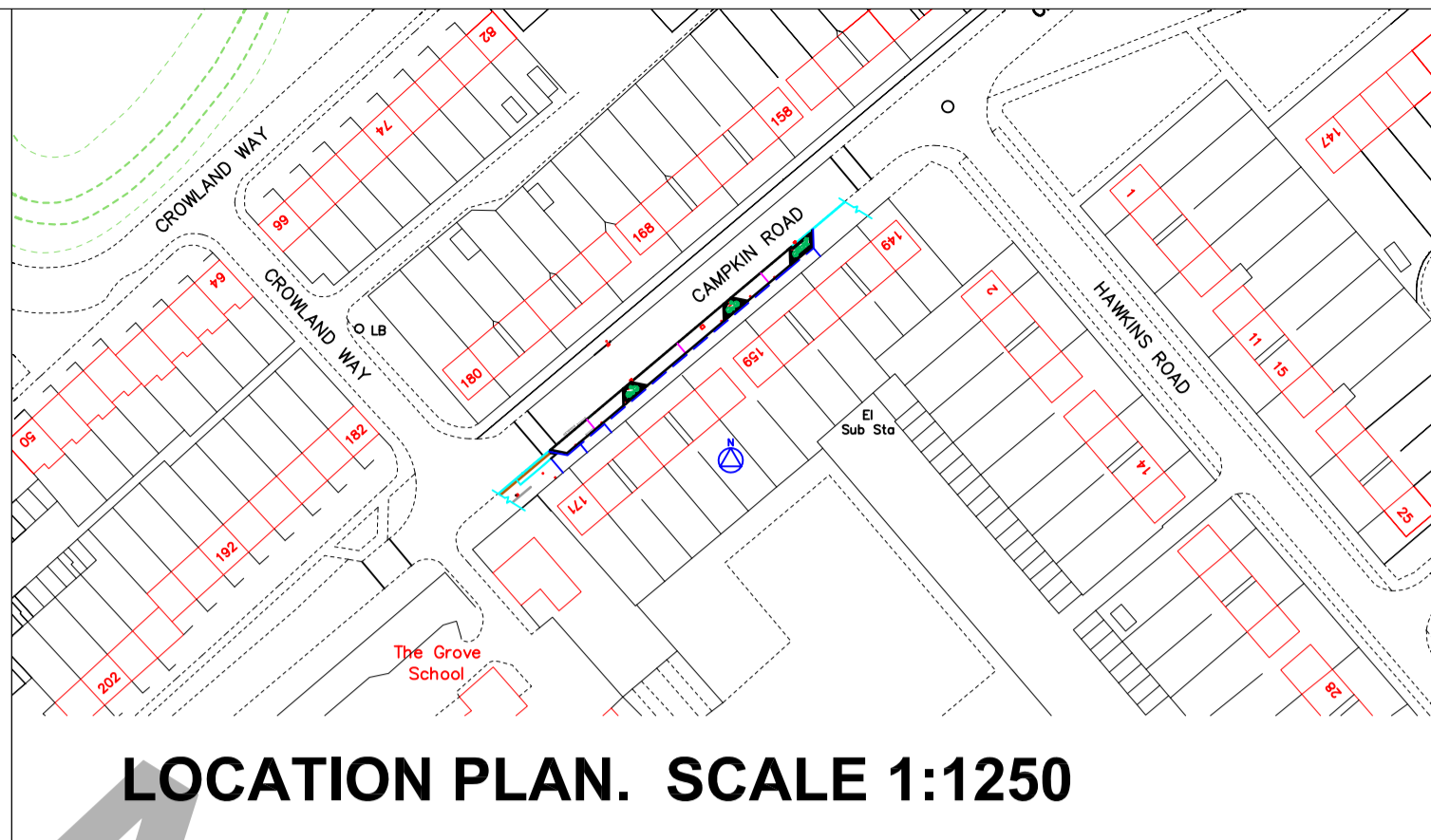


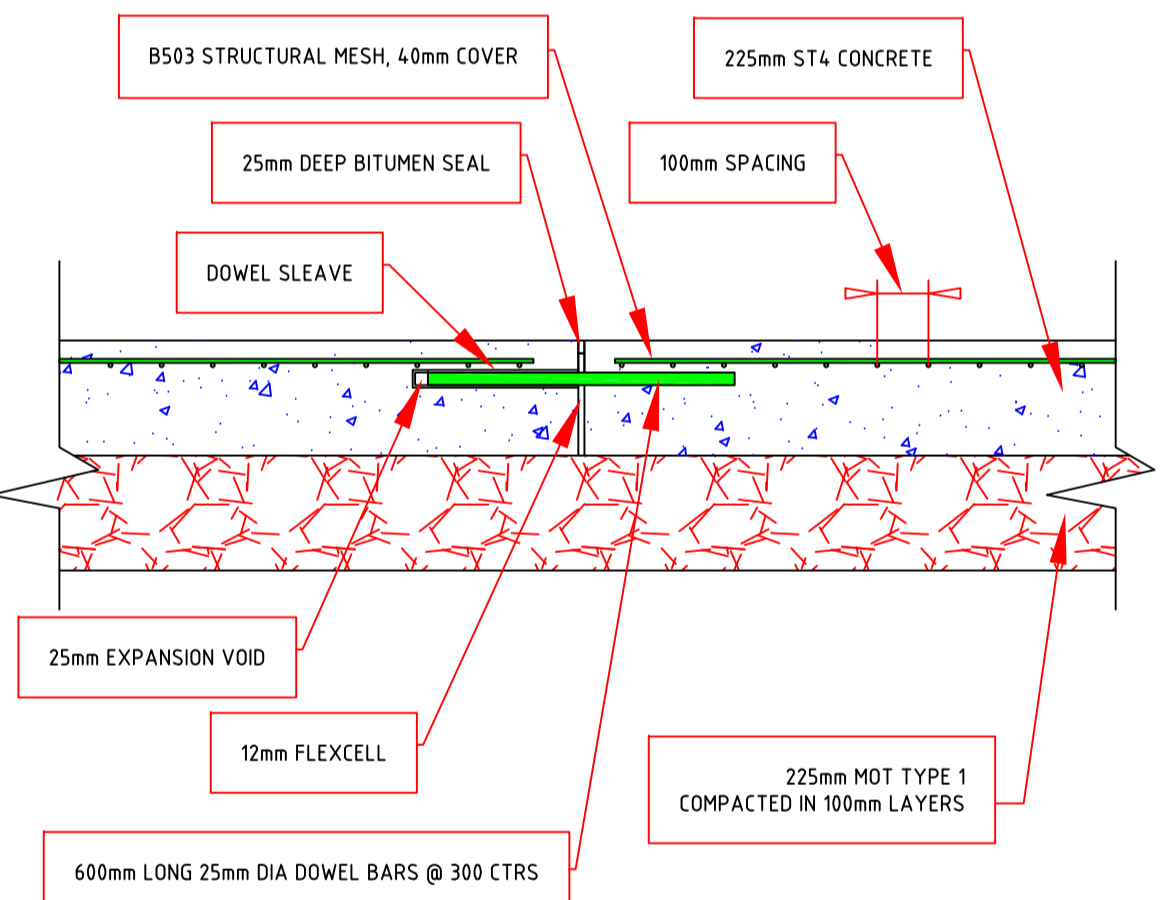
**TYPICAL KERB, CHANNEL, EDGING DETAILS. N.T.S.**



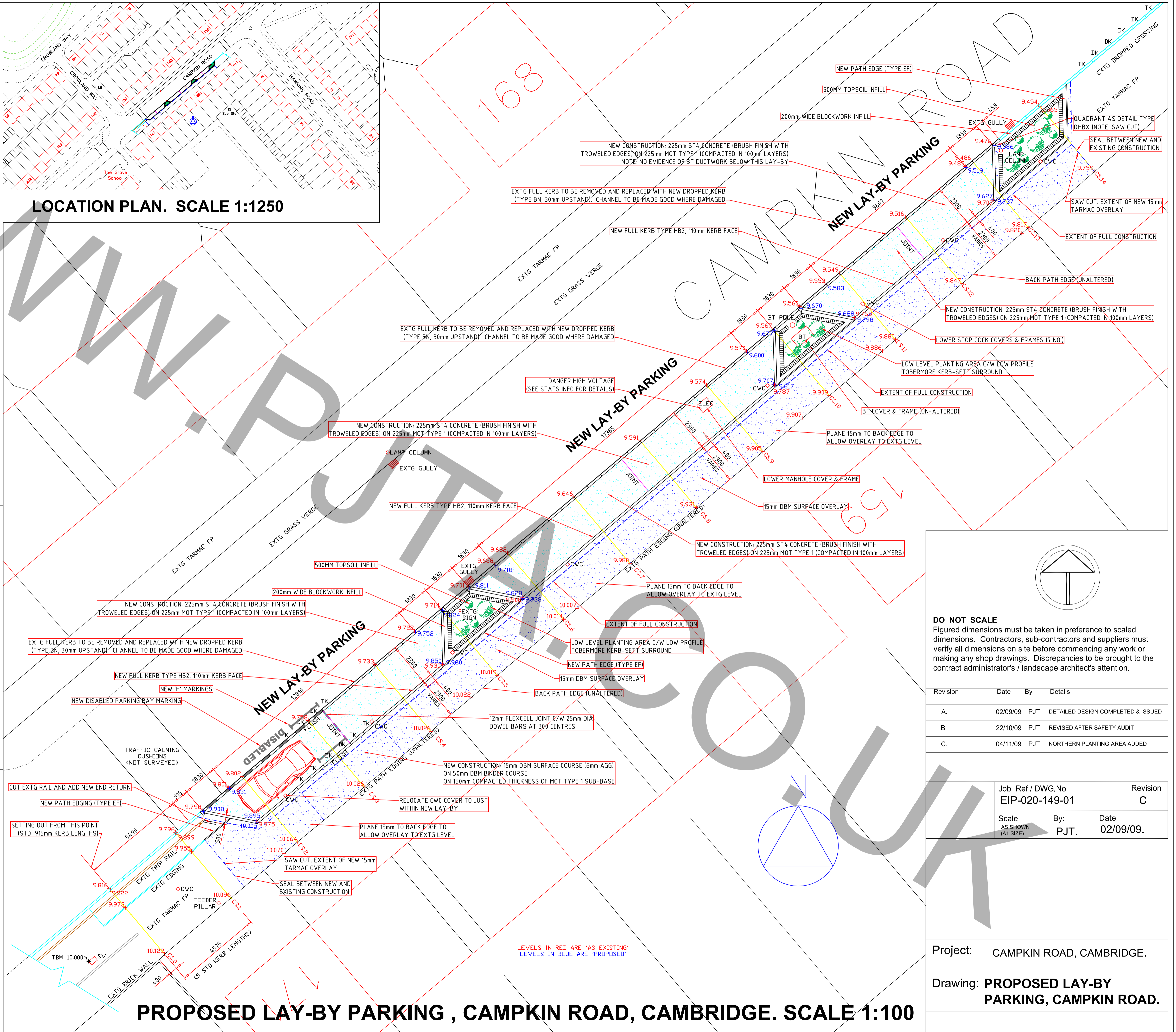
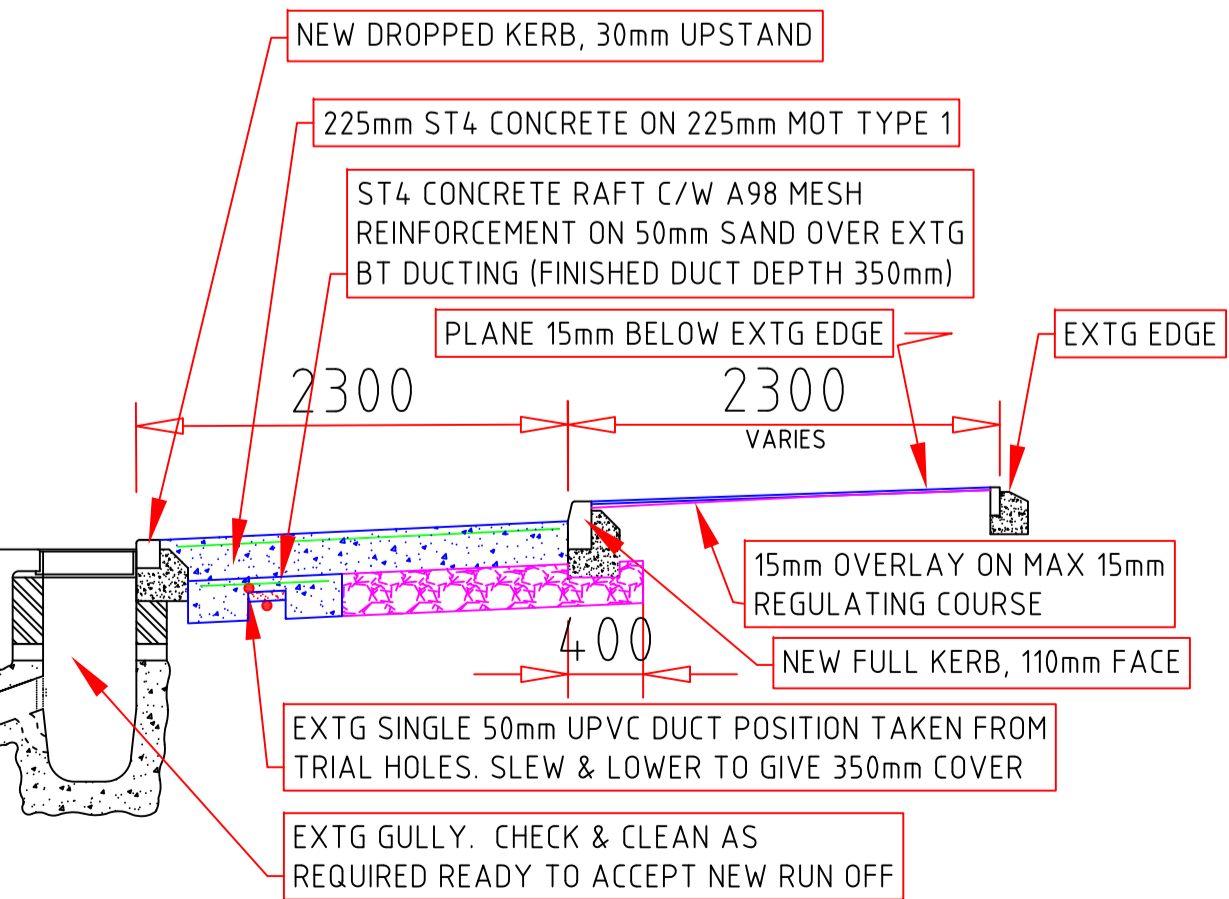
**LOCATION PLAN. SCALE 1:1250**



**EXPANSION JOINT DETAIL. N.T.S.**



**TYPICAL CROSS SECTION. N.T.S.**



**DO NOT SCALE**  
Figured dimensions must be taken in preference to scaled dimensions. Contractors, sub-contractors and suppliers must verify all dimensions on site before commencing any work or making any shop drawings. Discrepancies to be brought to the contract administrator's / landscape architect's attention.

Revision	Date	By	Details
A.	02/09/09	PJT	DETAILED DESIGN COMPLETED & ISSUED
B.	22/10/09	PJT	REVISED AFTER SAFETY AUDIT
C.	04/11/09	PJT	NORTHERN PLANTING AREA ADDED

Job Ref / DWG.No EIP-020-149-01	Revision C
Scale AS SHOWN (A1 SIZE)	By: PJT.
Date 02/09/09.	

Project: CAMPKIN ROAD, CAMBRIDGE.  
Drawing: PROPOSED LAY-BY PARKING, CAMPKIN ROAD.

**PROPOSED LAY-BY PARKING, CAMPKIN ROAD, CAMBRIDGE. SCALE 1:100**